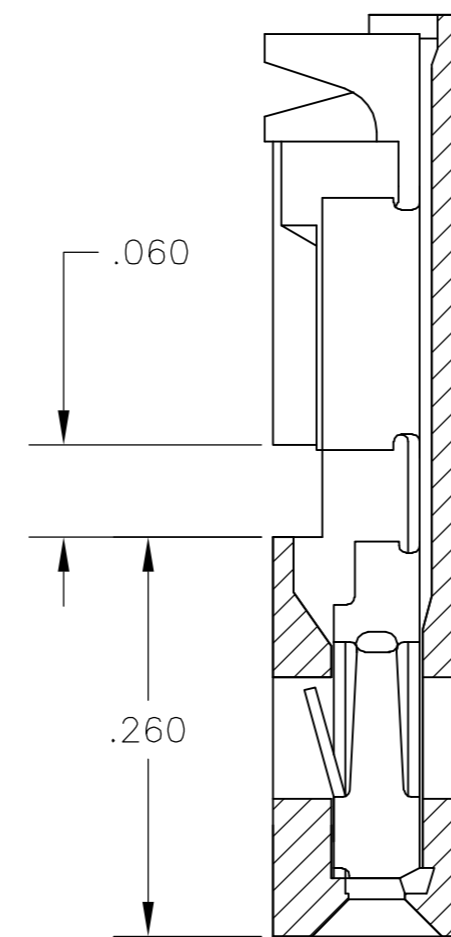
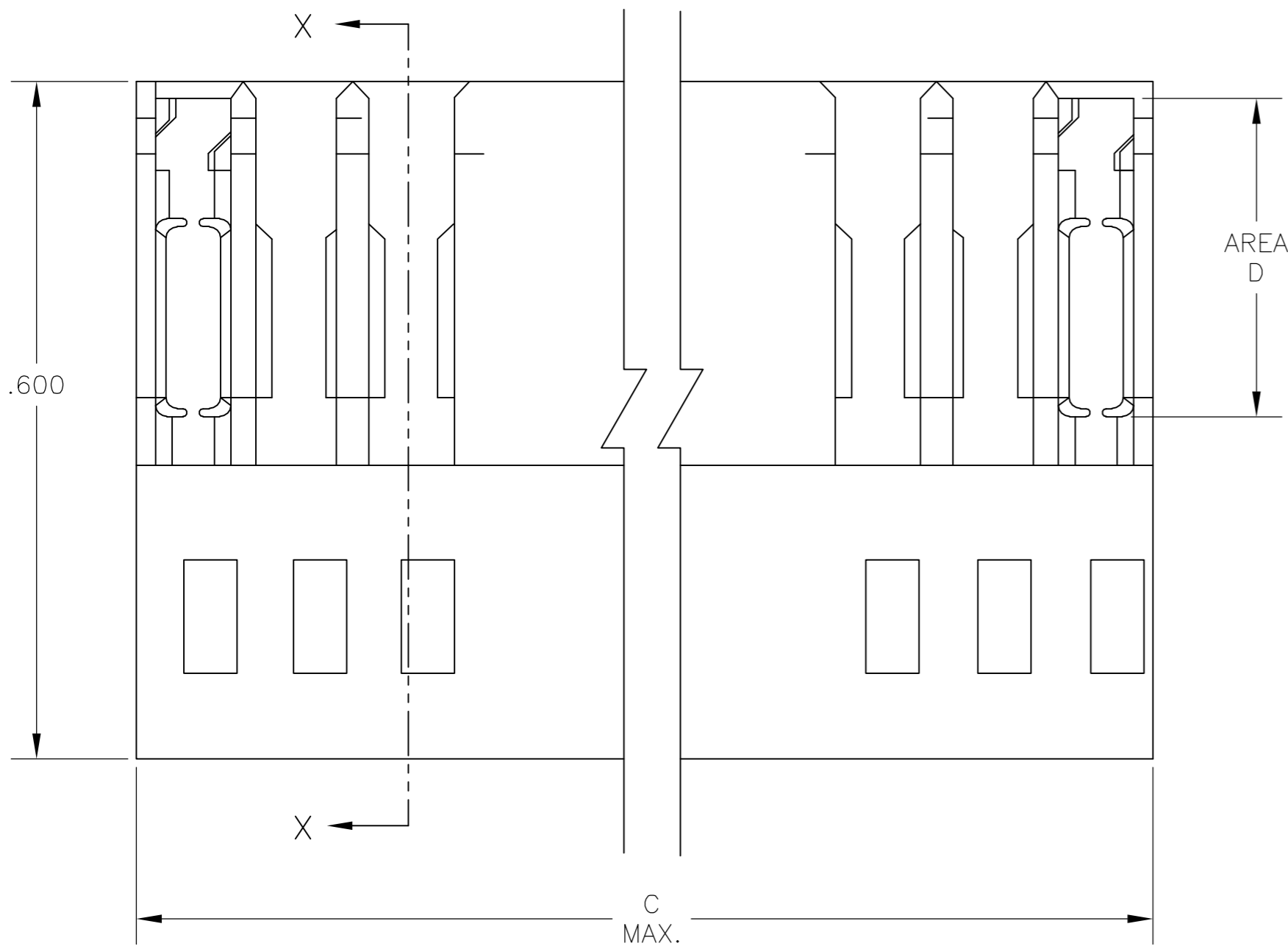
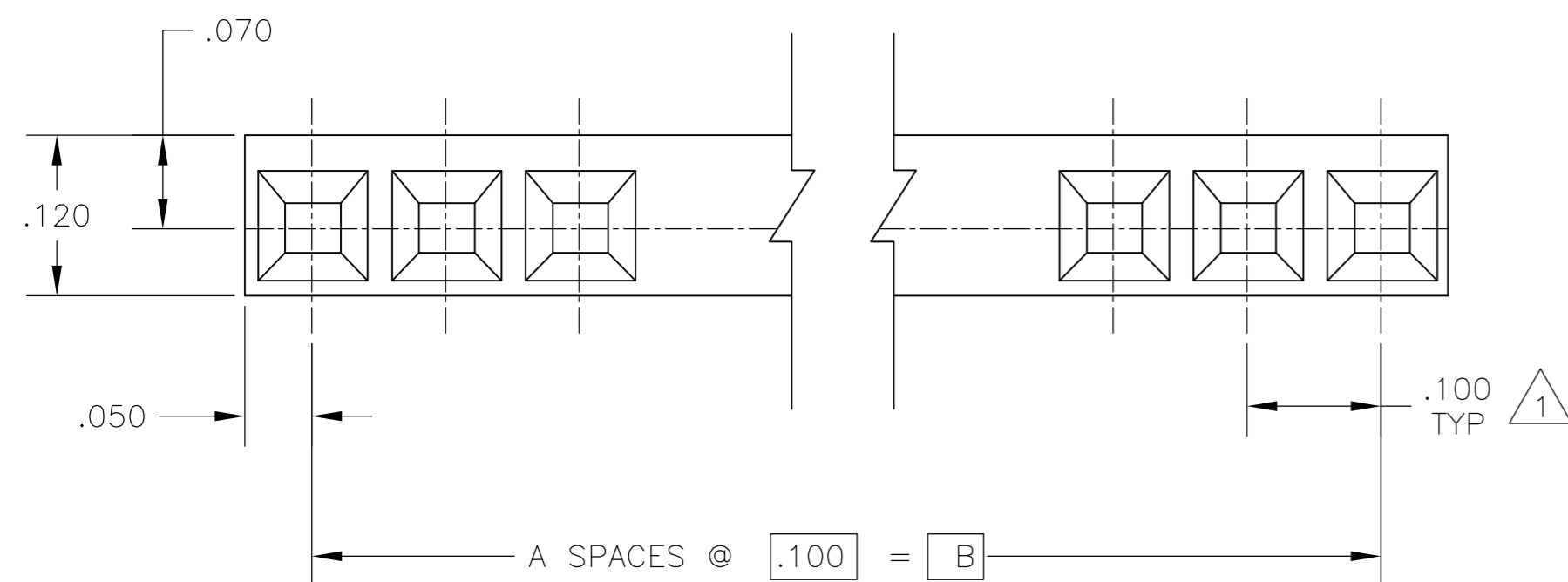


THIS DRAWING IS UNPUBLISHED. RELEASED FOR PUBLICATION  
 © COPYRIGHT BY TYCO ELECTRONICS CORPORATION. ALL RIGHTS RESERVED.

LOC	DIST	REVISIONS			
P	LTR	DESCRIPTION	DATE	DWN	APVD
AD	00	E	0G3C-0681-04	15MAR2007	RB DR



SECTION X-X



- 1 CAVITY LOCATION DIMENSIONS INCREASE INCREMENTS OF .100 TOLERANCE NON-CUMULATIVE.
- 2 .000030 GOLD IN CONTACT AREA, .000050-.000100 TIN-LEAD IN AREA D, ALL OVER .000050 NICKEL.
- 3 .000030 GOLD IN CONTACT AREA, .000050-.000100 TIN IN AREA D, ALL OVER .000050 NICKEL.
- 4 ROHS 2002/95/EC COMPLIANT.

	4	3	1.700	1.600	16	17	6-102747-7
OBSOLETE			2.500	2.400	24	25	2-102747-5
			2.400	2.300	23	24	2-102747-4
			2.300	2.200	22	23	2-102747-3
			2.200	2.100	21	22	2-102747-2
			2.100	2.000	20	21	2-102747-1
			2.000	1.900	19	20	2-102747-0
			1.900	1.800	18	19	1-102747-9
		1.800	1.700	17	18	1-102747-8	
OBSOLETE		2	1.700	1.600	16	17	1-102747-7
			1.600	1.500	15	16	1-102747-6
			1.500	1.400	14	15	1-102747-5
			1.400	1.300	13	14	1-102747-4
			1.300	1.200	12	13	1-102747-3
			1.200	1.100	11	12	1-102747-2
			1.100	1.000	10	11	1-102747-1
			1.000	.900	9	10	1-102747-0
			.900	.800	8	9	102747-9
			.800	.700	7	8	102747-8
			.700	.600	6	7	102747-7
			.600	.500	5	6	102747-6
			.500	.400	4	5	102747-5
			.400	.300	3	4	102747-4
		.300	.200	2	3	102747-3	
		.200	.100	1	2	102747-2	
		-	-	-	-	-	
		C	B	A	NO.OF POS.	PART NO.	

THIS DRAWING IS A CONTROLLED DOCUMENT.		DWN R BROWN 15MAR2007	<b>tyco</b> Electronics	Tyco Electronics Corporation Harrisburg, Pa 17105-3608	
DIMENSIONS: INCHES		CHK D ROHDE 15MAR2007		ASS'Y HOUSING, MASS TERMINATION, AMPMODU, SINGLE ROW, .100 CENTER-LINE, #26-#30 AWG WIRE SIZE	
TOLERANCES UNLESS OTHERWISE SPECIFIED:		APVD D ROHDE 15MAR2007	NAME		
0 PLC ± -		PRODUCT SPEC	SIZE CAGE CODE DRAWING NO RESTRICTED TO		
1 PLC ± -		APPLICATION SPEC	A2 00779 C=102747		
2 PLC ± -		FINISH	SCALE 8:1 SHEET 1 OF 1 REV E		
3 PLC ± .005		SEE TABLE			
4 PLC ± -					
ANGLES ± -					
MATERIAL HOUSING-FLAME RETARDENT THERMOPLASTIC COLOR-BLACK CONTACTS-PHOS. BRONZE					